

ECOWATER
S Y S T E M S[®]



Your Water. Perfected.

Let us

Perfect

your water and

Maximize

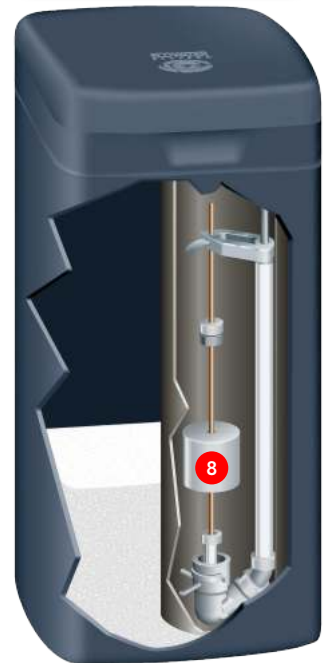
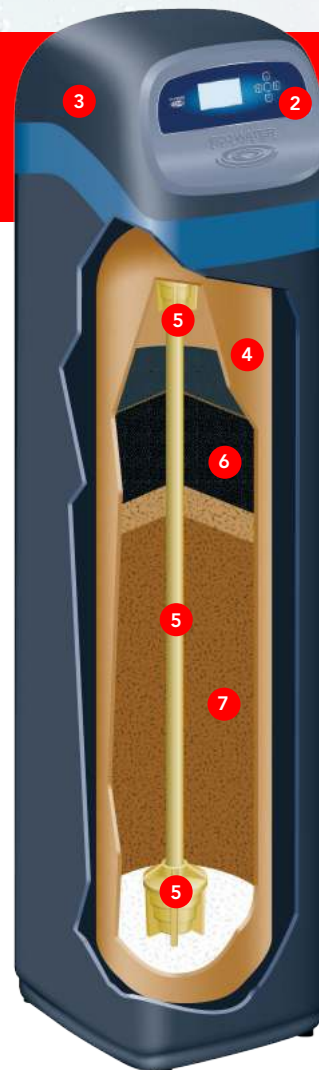
your peace of mind.

ERR3702

ECOWATER 3700 SERIES WATER REFINING SYSTEM[®]

The Latest Technology for Water Treatment

- HydroLinkPlus[®] Wi-Fi and Smartphone App Monitoring**
HydroLinkPlus[®] – Wi-Fi enabled technology sends continuous and excessive water use, system error, low salt and service reminder alerts, including a water-to-drain sensing alert notifying you when an excessive amount of water is going to drain.
HydroLink[®] – Patented two-way remote monitoring also available.
Water Meter
Allowing for chemical feed dosing, flow switch operation and water use information.
- Patented Electronics Digital Demand Module**
Sophisticated, yet easy-to-use electronics capture historical usage patterns to predict future needs for precise regenerations.
- High Quality Fit and Finish**
- Multi-Wrap Fiberglass Reinforced Resin Tank**
Durable tank liner will not deteriorate, rust, or corrode.
- Full One-Inch Riser with Self-Cleaning Distributors**
One-inch diameter for increased flow rates, which ensures that household demand is adequately met. Distributors exhibit excellent flow rates and are cleaned automatically by counter-current water pressure.
- Coconut-Shell Carbon with Lifetime Warranty**
Filters the water throughout the home without compromising water flow. Reduces chlorine taste and odor, extends resin life and eliminates the need for a separate carbon filter and filter changes.
- Patented Stratified Resin Bed with Lifetime Warranty**
Layered mix of fine and standard size resin provides superior filtration and iron removal without sacrificing flow rate capability.
- Positive-Action Brine Valve**
Snap-together construction eliminates use of solvents that may contaminate water. Positive action helps prevent overfilling.



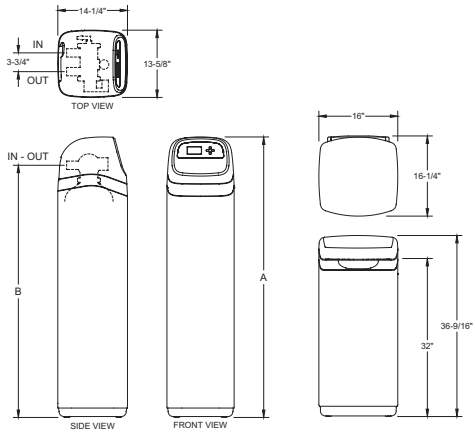
 Designed, Engineered & Assembled in the U.S.A.

ecowater.com

ERR3702

ECOWATER 3700 SERIES WATER REFINING SYSTEM®

DIMENSIONS



	ERR3702 R30	ERR3702 R50
Nominal Resin Tank Size	10" Diam. x 47"	12" Diam. x 54"
A	57"	63"
B	51 1/8"	57 1/8"

SPECIFICATIONS

	ERR3702R30	ERR3702R50
Efficiency (gr./lb. @ min. lb. salt dose)	4,140 @ 2.8	4,440 @ 4.7
Hardness Capacity (gr. @ max. lb. salt dose)	25,900 @ 11.0	49,900 @ 19.5
Certified Flow Rate (gpm @ psi)	8 @ 8	12 @ 10
Intermittent Flow Rate (gpm @ psi) ¹	14.2 @ 15	15 @ 15
Intermittent Flow Rate (gpm @ psi) ¹	21.4 @ 30	22 @ 30
Stratified Resin Bed (lbs.)	47	79.5
Quartz Gravel Base (lbs.)	10	10
Maximum Water Hardness (grains per gallon)	60	95
Maximum Chlorine (ppm)	4	4
Approximate Water Used Each Regeneration (gal.) ²	40	95
Salt Storage Capacity (lbs.)	300	300
Supply Water Pressure Limits (psi) ³	20-125	20-125
Supply Water Temperature Limits (°F/°C)	40-100 / 4-38	40-100 / 4-38
Chlorine Taste and Odor Reduction (gallons at 1.0 ppm) ⁴	1,820,000 ⁵	1,820,000 ⁵
Ambient Temperature Range (°F/°C)	35-150 / 2-66	35-150 / 2-66
Plumbing Connection Provided (inches)	1	1
Electrical Requirement, 120V, 50/60Hz, (24V DC, 500 mA, power supply included)		

¹Intermittent flow rate does not represent the maximum service flow rate used for determining the refiner's rated capacity and efficiency. Continuous operation at flow rates greater than the certified flow rate may affect capacity and efficiency performance. The validity of these flow rates is verified by NSF. ²When operated at 35 psi water pressure. ³Maximum pressure for Canadian use is 7.0 Kg/cm². ⁴Typical residential chlorine concentration is 0.5 to 1.0 ppm. ⁵From independent laboratory test data.



Your Water. Perfected.

MS2

